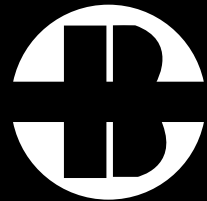


PRODUCT INFORMATION & SPECIFICATIONS

Compressor
solutions
that exceed
expectations.

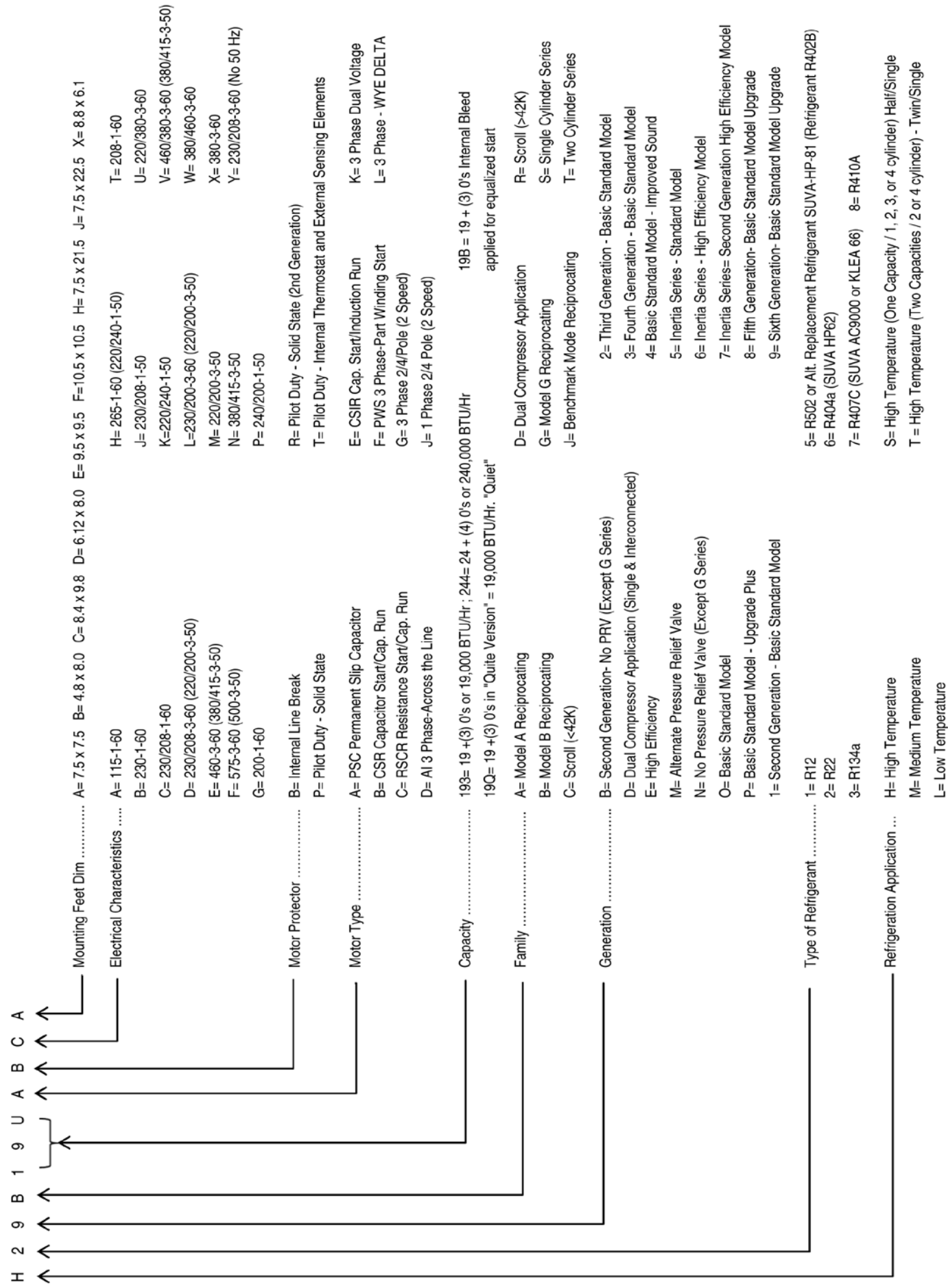




NOTE:

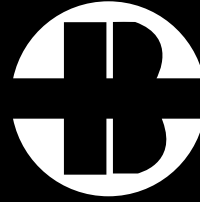
**PLEASE REFER
TO THIS
COMPRESSOR
MODEL NUMBER
SYSTEM
FOR CONVENIENT
CROSS
REFERENCE**

COMPRESSOR MODEL NUMBER SYSTEM



H2BG SERIES

Model	@45/130			@45/100		
	Capacity BTU/H WATTS	Motor Input WATTS	EER/COP BTU/WH W/W	Capacity BTU/H	Motor Input WATTS	EER BTU/WH
230/208 VOLTS - 3 Phase						
H2BG094DBD	88700	26026	8580	118016	6912	17.1
H2BG104DBD	103900	30486	10025	130782	8057	16.2
H2BG124DBD	121500	35651	12030	156344	9923	15.8
460 VOLTS - 3 Phase						
H2BG094DBE	88700	26026	8580	118016	6912	17.1
H2BG104DBE	103900	30486	10025	130782	8057	16.2
H2BG124DBE	119000	34917	12010	118445	6946	17.1
575 VOLTS - 3 Phase						
H2BG094DBF	88200	25879	8600	118500	6950	17.1
H2BG124DBF	119000	34916	12050	156900	9800	16.0



Electrical Data			Displacement		
RLA	LRA	MCC	IN ³ /REV	CM ³ /REV	
24.0	145	40.0	10.22	167.40	
29.3	166	45.0	11.63	190.50	
36.0	205	56.0	13.40	219.49	
12.3	72	19.0	10.22	167.40	
14.6	87	22.0	11.63	190.50	
17.0	85	25.0	13.40	219.49	
10.0	60	14.5	10.22	167.42	
13.4	66	20.0	13.40	219.52	

H2BG SERIES

220/200 - 3 Phase						
H2BG094DBD	72400	21244	7020	114231	6707	17.0
H2BG104DBD	84390	24762	8155	114231	6707	17.0
H2BG124DBD	100000	29342	9800	130286	8167	16.0
380/415 - 3 Phase						
H2BG094DBE	72400	21244	7020	100323	5789	17.3
H2BG104DBE	84390	24762	8155	114231	6707	17.0
H2BG124DBE	97000	28462	9790	126417	8058	15.7

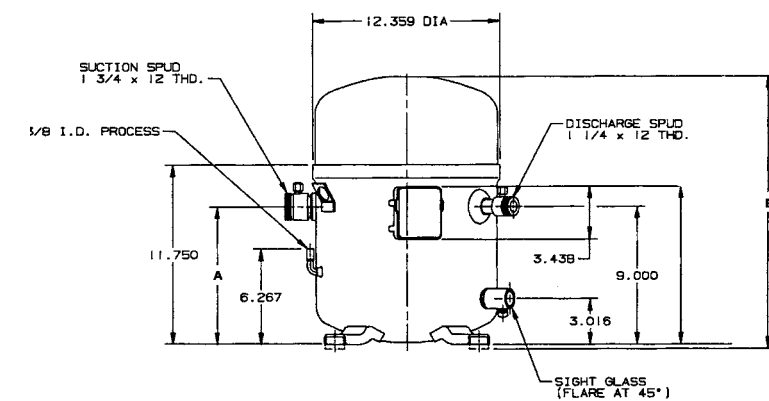
23.7	145	34.5	10.22	167.40	
29.0	175	42.6	11.63	190.50	
36.0	215	51.0	13.40	219.49	
12.0	72	18.0	10.22	167.40	
14.2	77	20.2	11.63	190.50	
16.5	80	25.0	13.40	219.49	

60 HZ

Model	Oil Charge		Weight				ELECTRICAL START COMPONENTS			DIMENSIONS					
	OZ	L	Net	Ship	Lbs	Kg	Run Capacitor	Start Capacitor	G.E. Relay	*DIAGRAMS FOUND ON PAGE 119					
							MFD/VOLTS	MFD/VOLTS		A		B		C	
										IN	MM	IN	MM	IN	MM
H2BG094DBD	96	2.8	128	58.2	138	62.7	-Not Req'd	-Not Req'd	-Not Req'd	9	228.4	17.6	446.4	17.9	454.6
H2BG104DBD	96	2.8	144	65.5	153	69.5	-Not Req'd	-Not Req'd	-Not Req'd	9	228.4	18.3	465.5	18.7	473.6
H2BG124DBD	96	2.8	146	66.4	155	70.5	-Not Req'd	-Not Req'd	-Not Req'd	9	228.4	18.3	465.5	18.7	473.6
H2BG094DBE	96	2.8	128	58.2	138	62.7	-Not Req'd	-Not Req'd	-Not Req'd	9	228.4	17.6	446.4	17.9	454.6
H2BG104DBE	96	2.8	144	65.5	153	69.5	-Not Req'd	-Not Req'd	-Not Req'd	9	228.4	18.3	465.5	18.7	473.6
H2BG124DBE	96	2.8	146	66.4	155	70.5	-Not Req'd	-Not Req'd	-Not Req'd	9	228.4	18.3	465.5	18.7	473.6
H2BG094DBF	96	2.8	128.0	58.2	138.0	62.8	-Not Req'd	-Not Req'd	-Not Req'd	9.0	228.3	17.6	446.3	17.9	454.4
H2BG124DBF	96	2.8	146.0	66.4	155.0	70.5	-Not Req'd	-Not Req'd	-Not Req'd	9.0	228.3	18.3	465.3	18.7	473.4

50 HZ

H2BG094DBD	96	2.8	128	58.2	138	62.7	-Not Req'd	-Not Req'd	-Not Req'd	9	228.4	17.6	446.4	17.9	454.6
H2BG104DBD	96	2.8	144	65.5	153	69.5	-Not Req'd	-Not Req'd	-Not Req'd	9	228.4	18.3	465.5	18.7	473.6
H2BG124DBD	96	2.8	146	66.4	155	70.5	-Not Req'd	-Not Req'd	-Not Req'd	9	228.4	18.3	465.5	18.7	473.6
H2BG094DBE	96	2.8	128	58.2	138	62.7	-Not Req'd	-Not Req'd	-Not Req'd	9	228.4	17.6	446.4	17.9	454.6
H2BG104DBE	96	2.8	144	65.5	153	69.5	-Not Req'd	-Not Req'd	-Not Req'd	9	228.4	18.3	465.5	18.7	473.6
H2BG124DBE	96	2.8	146	66.4	155	70.5	-Not Req'd	-Not Req'd	-Not Req'd	9	228.4	18.3	465.5	18.7	473.6



H2BG